

ITEM SKU#: 662187508672

Delphi Wall Pack Full Cutoff

(With Integrated Photocell)

INDUSTRIAL LIGHTING | WALL PACKS



FEATURES

- CCT and power selectable capability for maximum versatility.
- Integrated photocell enables automatic on/off operation, enhancing energy efficiency.
- Exceptional light output with uniform distribution for optimal visibility.
- IP65-rated for protection against moisture and dust in harsh conditions.
- Durable die-cast aluminum housing ensures heat dissipation and long-lasting performance.
- Operates effectively in low and ambient temperatures, making it ideal for outdoor use.

APPLICATIONS

Building Facades, Entrances, Courtyards, Commercial Spaces, Industrial Areas, Retail and Hospitality Buildings, Landscape Lighting

PRODUCT DETAILS

ELECTRICAL

Max Power	102W
Voltage	120-277V
Current	0.41A
Power Factor	0.9
Total Harmonic Distortion (THD)	15%
Surge Protection	L-N:4kV, L&N-E:6kV

LIGHTING PERFORMANCE

Lumens	5386lm-8079lm-10772lm-13735lm
Efficacy	134.65lm/W
Color Temperature (Selectable)	3000K-4000K-5000K
Color Rendering (CRI)	80
R9 (Red Value)	2
R13 (Skin Tones)	82-82-81
Beam Angle	128°x109°
Light Distribution	Type IV
BUG Rating (Backlight, Uplight, and Glare)	B3-U2-G2
Dimmable Lighting Control	Continuous Dimming to 10% or Below

Note:

*Mentioned lumen output is calculated as such: 5386lm at 40W, 8079lm at 60W, 10772lm at 80W and 13735lm at 102W

*Mentioned R13 output is calculated @100W

ENVIRONMENT

Operating Temperature	-40°F ~ +122°F
Suitable Location	WET
Ingress Protection Rating (IP)	IP65

LIFESPAN

Average Life (Hours)	50,000
Warranty (Years)	5

COMPONENTS

LED Light Source	Lumileds SMD 2835
Driver	Becky BQE108-0800-130-PVF-PS

CONSTRUCTION

Housing	Die-cast Aluminum
Cover Material	Polycarbonate
Diffuser	Clear
Power Supply	Hard Wired
Finish	Bronze

PART NUMBER & QUALIFICATIONS

Ordering Part Number	IK-FCWP-0100W-DL-30/40/50K-MVBR10SP
Qualified Part Number	IK-FCWP-0100W-DL-30/40/50K-MV-[BR, WH, BL] [10SP, 20SP or blank][AP, DP or blank][MS, PM or blank][EM or blank]
SKU Number	662187508672



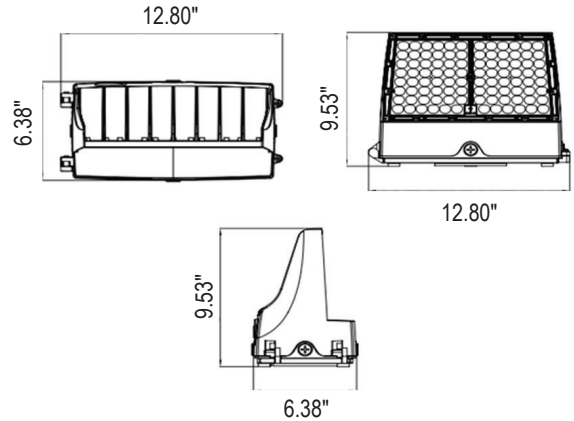
Not all product variations listed on this page are DLC qualified. Visit <https://www.designlights.org/qpl> to confirm qualification.

DIMENSIONS AND WEIGHT

Length (Inches)	12.80"
Width (Inches)	9.53"
Height (Inches)	6.38"
Net Weight (lbs)	7.04

PACKAGING

Box Dimensions (Inches)	18.11" x 14.65" x 12.80"
Box Weight (lbs)	19.8
Quantity Per Box	2



SUPPORTING DOCUMENTS

DOCUMENTS	DOCUMENT LINK
Product Sheet	View / Download
IES Files	View / Download
LM79 Report	View / Download
LM80 Report	View / Download
Installation Instructions	View / Download

ORDERING INFORMATION

SKU NUMBER	DESCRIPTION	QUANTITY/BOX
662187508672	DELPHI WP FULL CUTOFF (WITH IP): 102W / 5386-8079-10772-13735LM / 30-40-50K / 120-277V / BRONZE	2

ACCESSORIES

SOLD SEPARATELY

SKU NUMBER	PRODUCT CODE	DESCRIPTION	DOCUMENT LINK
662187513973	IK-FCWP-8W-EMD	EMERGENCY LED DRIVER	View / Download
662187486543	IK-ACC-SPD-10KV-(100-277V)	SURGE PROTECTION 10KV (100-277V)	View / Download