

ITEM SKU#: 662187541440

# Dynamo Gen2

## Stadium Flood Light

INDUSTRIAL LIGHTING | FLOOD LIGHTS



### FEATURES

- OptiEase Technology simplifies lens replacement with a fast-swap system, minimizing downtime and operational delays.
- Power selectability enables on-site lumen adjustment to accommodate varying lighting requirements.
- Heavy-duty die-cast aluminum housing offers a robust structure and smooth finish, built to perform in demanding conditions.
- Rated IP66 and IK08 for protection against water ingress, dust, and mechanical impact.
- Features 0–10V dimming capability and integrated 10kV surge protection for controlled operation and electrical safety.
- Optional visor is available to enhance glare control and improve visual comfort.

### APPLICATION AREAS

Community Athletic Complex, Recreation Practice Pitch, Outdoor Training Fields

### PRODUCT DETAILS

#### ELECTRICAL

Power (Selectable)	300W-400W-500W
Voltage	200-480V
Current	0.69A-0.93A-1.16A
Power Factor	0.9
Total Harmonic Distortion (THD)	15%
Surge Protection	10kV

#### LIGHTING PERFORMANCE

Lumens	45000lm-60000lm-75000lm
Efficacy	150lm/W
Color Temperature (CCT)	3000K
Color Rendering Index (CRI)	70
R9 (Red Value)	-29
R13 (Skin Tones)	82
Beam Angle	30° (20°   45°   60° :Optional)
Light Distribution	Type VS
BUG Rating (Backlight, Uplight, and Glare)	B5-U3-G1
Dimmable Lighting Control	0-10V Dimming (PWM, DALI, DMX, Synapse :Optional)

#### ENVIRONMENT

Operating Temperature	-40°F ~ +122°F
Suitable Location	<b>WET</b>
Ingress Protection Rating (IP)	IP66
Impact Protection Rating (IK)	IK08

#### LIFESPAN

Average Life (Hours)	100,000
Warranty (Years)	<b>10</b>

#### COMPONENTS

LED Light Source	Lumileds SMD 2835
Driver	Sosen SS-240VH-E

#### CONSTRUCTION

Housing	Die-Cast Aluminum
Cover Material / Lens	Polycarbonate
Diffuser	Clear
Power Supply	Hard Wired
Finish	Gray
Effective Projected Area (EPA)	1.28 ft <sup>2</sup> (Front)   0.7 ft <sup>2</sup> (Side)

#### PART NUMBER & QUALIFICATIONS

Ordering Part Number	IK-SLEL2G2-300/400/500W-HV-30K-A-FM-30D-10-SY-10SP-GR
Qualified Part Number	DLC In-Process
SKU Number	662187541440



**DIMENSIONS AND WEIGHT (SLIP FITTER MOUNTING BRACKET)**

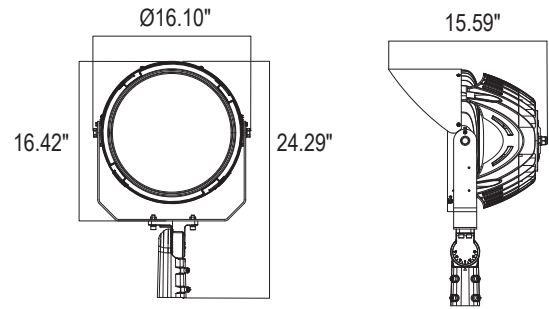
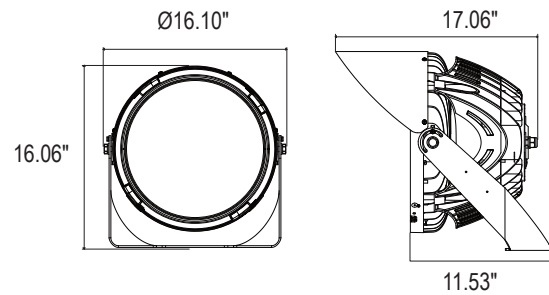
Width (Inches)	15.59"
Height (Inches)	16.42"
Height With Bracket (Inches)	24.29"
Diameter (Inches)	Ø16.10"
Net Weight (lbs)	24.38

**DIMENSIONS AND WEIGHT (FLOOD MOUNTING BRACKET)**

Width (Inches)	17.06"
Height (Inches)	16.06"
Diameter (Inches)	Ø16.10"
Net Weight (lbs)	22.48

**PACKAGING****SLIP FITTER MOUNTING BRACKET & FLOOD MOUNTING BRACKET**

Box Dimensions (Inches)	19.29" x 17.72" x 13.39"
Box Weight (lbs)	29.23 (Slip Fitter Mounting Bracket) 27.33 (Flood Mounting Bracket)
Quantity Per Box	1

**Slip Fitter Mounting Bracket****Flood Mounting Bracket****SUPPORTING DOCUMENTS**

DOCUMENTS	DOCUMENT LINK
<a href="#">Product Sheet</a>	<a href="#">View / Download</a>
<a href="#">IES Files</a>	<a href="#">View / Download</a>
<a href="#">LM79 Report</a>	<a href="#">View / Download</a>
<a href="#">LM80 Report</a>	<a href="#">View / Download</a>
<a href="#">Installation Instructions</a>	<a href="#">View / Download</a>

**ORDERING INFORMATION**

SKU NUMBER	DESCRIPTION	QUANTITY/BOX
662187541440	DYNAMO GEN2 SFL: 300W-400W-500W / 45000-60000-75000LM / 3000K / 200-480V / GRAY	1

**ACCESSORIES****INCLUDED IN THE BOX**

SKU NUMBER	PRODUCT CODE	DESCRIPTION	DOCUMENT LINK
662187511801	IK-SLEL2G2-FM	FLOOD MOUNTING BRACKET	<a href="#">View / Download</a>
662187511825	IK-SLEL2G2-SH	SHIELD	<a href="#">View / Download</a>
662187511863	IK-SLEL2G2-SPD-10KV-(100-300V)	SURGE PROTECTION 10KV-(100-300V)	<a href="#">View / Download</a>

## ACCESSORIES

### SOLD SEPARATELY

SKU NUMBER	PRODUCT CODE	DESCRIPTION	DOCUMENT LINK
662187511801	IK-SLEL2G2-FM	FLOOD MOUNTING BRACKET	<a href="#">View / Download</a>
662187511818	IK-SLEL2G2-SF	SLIP FITTER MOUNTING BRACKET	<a href="#">View / Download</a>
662187511825	IK-SLEL2G2-SH	SHIELD	<a href="#">View / Download</a>
662187511863	IK-SLEL2G2-SPD-10kV-(100-300V)	SURGE PROTECTION 10kV-(100-300V)	<a href="#">View / Download</a>

\*Choice of one accessory: Mounting Bracket (Slip Fitter or Flood Mount—either one) is included with the order. Contact your IKIO sales representative to buy replacement/additional Mounting Bracket.

\*Accessories, including the Flood Mounting Bracket and Slip Fitter Mounting Bracket, are supplied with the fixture as part of the order. These accessories are also available for purchase separately if required.