

ITEM SKU#: 662187511412

Dynamo Gen2

Stadium Flood Light

INDUSTRIAL LIGHTING | FLOOD LIGHTS



FEATURES

- OptiEase Technology simplifies lens replacement with a fast-swap system, minimizing downtime and operational delays.
- Power selectability enables on-site lumen adjustment to accommodate varying lighting requirements.
- Heavy-duty die-cast aluminum housing offers a robust structure and smooth finish, built to perform in demanding conditions.
- Rated IP66 and IK08 for protection against water ingress, dust, and mechanical impact.
- Features 0–10V dimming capability and integrated 10kV surge protection for controlled operation and electrical safety.
- Optional visor is available to enhance glare control and improve visual comfort.

APPLICATION AREAS

Community Athletic Complex, Recreation Practice Pitch, Outdoor Training Fields

PRODUCT DETAILS

ELECTRICAL

Max Power	498.1W
Voltage	100-277V
Current	1.85A
Power Factor	0.97
Total Harmonic Distortion (THD)	7.40%
Surge Protection	10kV

LIGHTING PERFORMANCE

Lumens	44400lm-59200lm-73727lm
Efficacy	148lm/W
Color Temperature (CCT)	5000K
Color Rendering Index (CRI)	72
R9 (Red Value)	-29
R13 (Skin Tones)	82
Beam Angle	30° (20° 45° 60° :Optional)
Light Distribution	Type VS
BUG Rating (Backlight, Uplight, and Glare)	B5-U3-G1
Dimmable Lighting Control	Continuous Dimming to 10% or Below

Notes:

*Mentioned lumen output is calculated as such: 44400lm at 300W, 59200lm at 400W, 73727lm at 498.1W.

ENVIRONMENT

Operating Temperature	-40°F ~ +122°F
Suitable Location	WET
Ingress Protection Rating (IP)	IP66
Impact Protection Rating (IK)	IK08

LIFESPAN

Average Life (Hours)	100,000
Warranty (Years)	10

COMPONENTS

LED Light Source	Lumileds SMD 2835
Driver	Sosen SS-240VH-E

CONSTRUCTION

Housing	Die-Cast Aluminum
Cover Material / Lens	Polycarbonate
Diffuser	Clear
Power Supply	Hard Wired
Finish	Gray
Effective Projected Area (EPA)	1.28 ft ² (Front) 0.7 ft ² (Side)

PART NUMBER & QUALIFICATIONS

Ordering Part Number	IK-SLEL2G2-300/400/500W-MV-50K-A-FM-30D-10-SY-10SP-GR
Qualified Part Number	IK-SLEL2G2-500W-MV-50K-A-30D-GR-S
SKU Number	662187511412



Not all product variations listed on this page are DLC qualified. Visit <https://www.designlights.org/qpl> to confirm qualification.

DIMENSIONS AND WEIGHT (SLIP FITTER MOUNTING BRACKET)

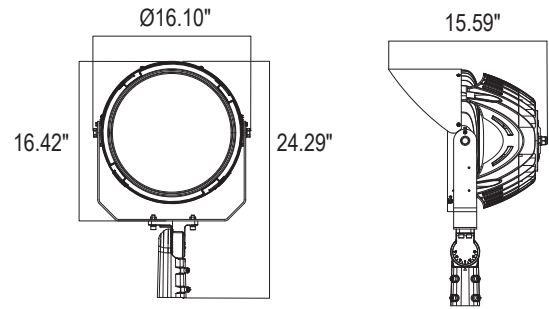
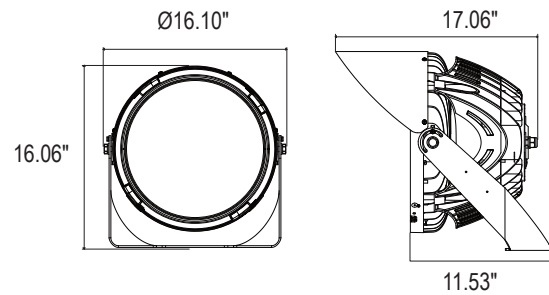
Width (Inches)	15.59"
Height (Inches)	16.42"
Height With Bracket (Inches)	24.29"
Diameter (Inches)	Ø16.10"
Net Weight (lbs)	24.38

DIMENSIONS AND WEIGHT (FLOOD MOUNTING BRACKET)

Width (Inches)	17.06"
Height (Inches)	16.06"
Diameter (Inches)	Ø16.10"
Net Weight (lbs)	22.48

PACKAGING**SLIP FITTER MOUNTING BRACKET & FLOOD MOUNTING BRACKET**

Box Dimensions (Inches)	19.29" x 17.72" x 13.39"
Box Weight (lbs)	29.23 (Slip Fitter Mounting Bracket) 27.33 (Flood Mounting Bracket)
Quantity Per Box	1

Slip Fitter Mounting Bracket**Flood Mounting Bracket****SUPPORTING DOCUMENTS**

DOCUMENTS	DOCUMENT LINK
Product Sheet	View / Download
IES Files	View / Download
LM79 Report	View / Download
LM80 Report	View / Download
Installation Instructions	View / Download

ORDERING INFORMATION

SKU NUMBER	DESCRIPTION	QUANTITY/BOX
662187511412	DYNAMO GEN2 SFL: 498.1W / 44400-59200-73727LM / 5000K / 100-277V / GRAY	1

ACCESSORIES**INCLUDED IN THE BOX**

SKU NUMBER	PRODUCT CODE	DESCRIPTION	DOCUMENT LINK
662187511801	IK-SLEL2G2-FM	FLOOD MOUNTING BRACKET	View / Download
662187511825	IK-SLEL2G2-SH	SHIELD	View / Download
662187511863	IK-SLEL2G2-SPD-10KV-(100-300V)	SURGE PROTECTION 10KV-(100-300V)	View / Download

ACCESSORIES

SOLD SEPARATELY

SKU NUMBER	PRODUCT CODE	DESCRIPTION	DOCUMENT LINK
662187511801	IK-SLEL2G2-FM	FLOOD MOUNTING BRACKET	View / Download
662187511818	IK-SLEL2G2-SF	SLIP FITTER MOUNTING BRACKET	View / Download
662187511825	IK-SLEL2G2-SH	SHIELD	View / Download
662187511863	IK-SLEL2G2-SPD-10kV-(100-300V)	SURGE PROTECTION 10kV-(100-300V)	View / Download

*Choice of one accessory: Mounting Bracket (Slip Fitter or Flood Mount—either one) is included with the order. Contact your IKIO sales representative to buy replacement/additional Mounting Bracket.

*Accessories, including the Flood Mounting Bracket and Slip Fitter Mounting Bracket, are supplied with the fixture as part of the order. These accessories are also available for purchase separately if required.