

**IMPORTANT SAFEGUARDS**

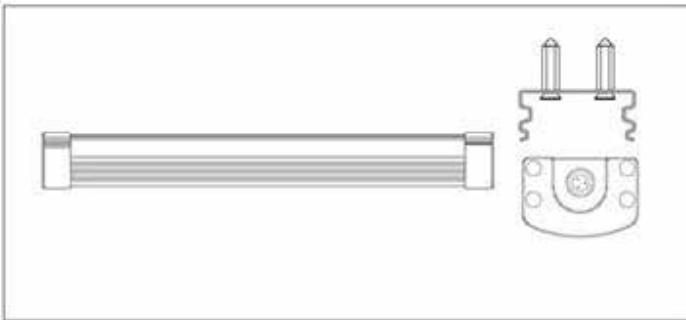
- To avoid electric shock, maintenance and installation should only be carried out by a professional electrician.
- Before installation, turn off the power to make sure safety.
- The integrated tube can be connected less than total 600W.
- Follow the diagram given below for proper installation.

**WARNING**

1. Disconnect power before installation; must be installed by licensed electrician.
2. Please use it under correct input power range.
3. This tube is non-dimmable.
4. Do not use in the outdoor environment.
5. Stop using, if the product does not operate properly.  
 Check connections after the power is turned off, in case of failure replace the

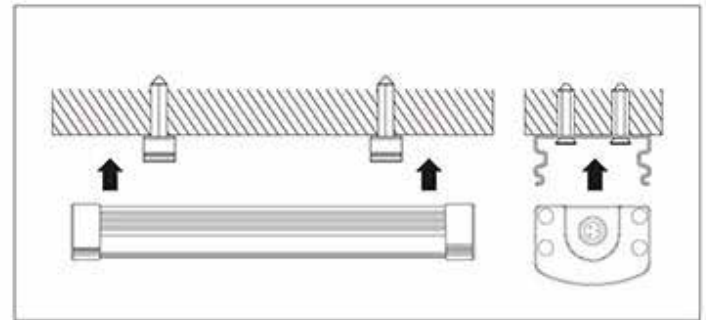
**Step-1**

Place the clip kit and screws correctly.



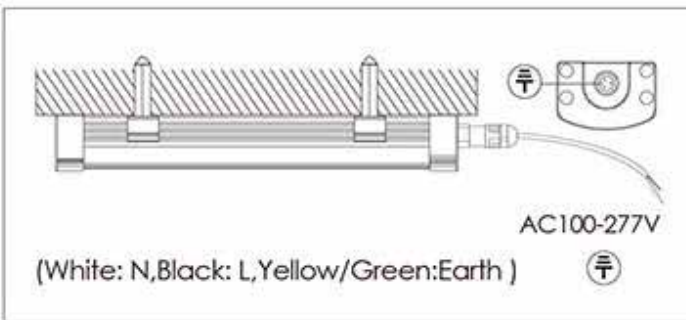
**Step-2**

Fix the LED tube to the ceiling or wall.



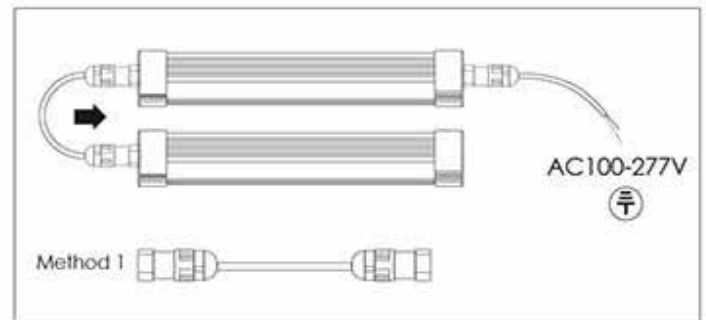
**Step-3**

Connect the power cord to the fixture.



**Step-4**

Connect up by linkable connector, done.



**Caution: Max in-line Connection is 600W**

